



**HomeAlarm Division**

**C11**

**END USER INSTRUCTIONS**

**A MANUAL TO AVOID MISTAKES**

Congratulations for having chosen an alarm system from the HOME alarm division of MetaSystem.

These instructions are designed to help the owner of a Meta System HOME ALARM to use the system correctly by carefully following the step-by-step explanations on the following pages.

**WHAT YOUR ALARM SYSTEM INCLUDES**

**REMOTE CONTROL TRANSMITTER**

This transmitter makes it possible to switch the alarm system on and off.

**EMERGENCY KEY**

With these keys it is possible to fully isolate the C11 unit and therefore deactivate the alarm system.

Caution: store these keys in a safe place.

**ADHESIVE LABELS**

Stick the adhesive labels on the entrance door or on windows where they can easily be seen from the outside, as an additional deterrent.

**WHAT YOUR ALARM SYSTEM DOES**

**OPERATION**

In the case of an attempted break-in detected by the system's infrared sensor, the unit will emit a number of beeps at low volume as a pre-alarm (for 3 seconds), then it will activate its powerful siren for one alarm cycle of 50 seconds.

**SYSTEM DISARMED**

When the system is disarmed, the status is reported by different LED signals:

-The Green LED present on the central unit indicates, "Power on". If this LED is off (i.e. no power), the central unit is still operative and functions thanks to the rechargeable internal back up batteries.

- Every time something moves within the range of the infrared sensor on the **Central unit**, a Yellow LED indicates that the object has been detected. However, if objects pass in front of the sensor very frequently, the sensor may not indicate all of them since it will enter immunity mode for a few moments.

**SYSTEM ARMED**

- The flashing Red LED on the central unit indicates that the system is armed. However, it will only be able to generate an alarm 25 seconds after being armed, if there is an intrusion.

**USER INSTRUCTIONS**

**ARMING**

Press and release the remote control button to activate the alarm system. The unit will emit two low-volume signals (BEEPS) and the red light will flash. After 25 seconds, the system is active and ready to go into operation in the event of a break-in.

**DISARMING**

Press and release the remote control button to deactivate the alarm system. The unit will emit a single long BEEP and the red light will go out. If the Red light does not go out and the unit emits 10 beeps close together after approximately 18 seconds, it means that during your absence there has been at least one alarm (see the section ALARM MEMORY for a full explanation).

**PANIC ALARM**

Keep the remote control button pressed for approximately 6 seconds. An alarm cycle lasting 15 seconds will be generated that, once activated, cannot be stopped so it is necessary to wait for the end of the cycle.

**SIGNALS**

**CENTRAL UNIT**

- Red LED: During the first 25 seconds after switching on, this light will flash in inverted mode (short PAUSES). After this time it will flash

regularly (short FLASHES) every 0.8 seconds to signal that the system is ready to trigger an alarm.

- Green LED: This light is on when there is an external power supply (mains voltage or 12V).

- Yellow LED: This light comes on briefly every time the central unit infrared sensor detects a movement, both when the alarm system is armed or disarmed.

**CENTRAL UNIT ALARM MEMORY**

The central unit has an alarm memory that signals any alarms occurring during your absence.

If the Red LED remains on after disarming the central unit and 18 seconds has elapsed, an alarm has been triggered and the Red LED will flash accordingly.

The signals continue until the unit is switched on again.

If no alarms have been triggered, the red LED on the central unit will go out when the system is disarmed.

**OPERATING INSTRUCTIONS**

**ADDITIONAL REMOTE CONTROLS**

After purchasing a new remote control from the centre that supplied you with the alarm system, carry out the following procedures to make it operative.

- 1) Using the remote control supplied, arm and disarm the central unit several times (press the button consecutively 16 times, waiting a few seconds between one operation and the next) until the central unit emits 3 consecutive BEEPS.
- 2) Press the button on the new transmitter within 8 seconds until the central unit confirms reception by emitting 3 BEEPS.
- 3) Repeat step 2 for each further transmitter to be memorised, including those, which were already memorised.
- 4) Once all the remote controls have been memorised, wait about 8 sec. for the central unit to exit the remote control memorising mode. From this moment onwards, only the transmitters memorised in the above phase will be able to command the central unit.

**EXCLUDING REMOTE CONTROLS**

It is possible to block operation of any remote control that has been lost or stolen: in this way the safety of your alarm system is ensured, since only you can turn it off. To disable any lost transmitters, repeat the operation from point 1 to point 4 in the previous section, using all the transmitters remaining.

Any transmitters that have been lost or that will not be used in this phase will be automatically inhibited.

**CAUTION**

Due to the normal discharge of the rechargeable batteries in the parts with battery back up, the battery charge may be low at the time of installation. Therefore keep the product powered for at least 24 hours before testing the back up.

**TECHNICAL SERVICES**

**WHO TO CALL**

For any clarification on using the system, please do not hesitate to call your area dealer who should affix his stamp below and/or give the particulars of the person to contact:

**NAME**

**PHONE**

Installer's stamp



## HomeAlarm Division

### C11

## FITTING INSTRUCTIONS

### Technical characteristics

Power supply: .....230 - 240 V AU.50 - 60 Hz or 12 V DC (SELV)

Battery autonomy time: .....C11: 12 hours

Dimensions C11: .....105 x 110 x 115 mm

Alarm cycle duration: .....50 seconds

Maximum alarm cycles per channel: 6

Alarm relay capacity: .....C11: 10A

Sound output: .....C11: 118 dB

Lithium battery powered remote controls with over 4 million possible codes.

### How to Install

Please refer to the following points step by step.

#### 1 - Where to Install

-Choosing the correct location is very important so please carefully consider the following points:

-Since the central unit requires a 230 V or 12 V power supply, try to install the unit as close as possible to an outlet;

-The siren must be able to sound freely and must not be placed behind obstacles that could dampen the sound;

-The C11 can either be fitted to a wall or ceiling; the higher it is placed the greater the range it will cover (see fig. 1);

-The P.I.R. sensor must be fitted facing the area to be protected and must have a clear view without being obstructed by walls, curtains or partitions;

-Do not turn the P.I.R. toward fireplaces or stoves (or any source of excessive heat) or toward the exterior of windows or glass walls;

**CAUTION:** to guarantee that the memorisation or cancellation of remote controls takes place correctly, make sure that the alarm system has been powered for at least 24 hours (in order to charge the internal batteries) then disconnect it from the power source before proceeding.

#### 2 - Remote control memorisation

A coded remote control is used for carrying out all the various operations of activation, deactivation and so on.

One of these is supplied with the central unit, and the following steps must be carried out to make it operative:

Switch on the alarm central unit (ON position) by turning the key on the rear of the C11 central unit clockwise.

The central unit will emit a low volume BEEP:

Press the remote control button and keep it pressed until the unit emits 3 brief beeps and the red LED begins to flash. Once the button is released, after about 10 seconds the control unit will emit a prolonged beep to indicate that storing has been accomplished.

#### 2.1 - Memorisation of additional remote controls (optional)

If additional remote controls are purchased, the central unit must memorize them in order to make them operative. To do this, proceed as follows:

Step 1. Using the original remote control provided with the central unit, carry out a series of activations/deactivations (press the button 16 times consecutively, waiting a few seconds between one operation and the next), until the central unit emits 3 consecutive beeps.

Step 2. Press the button of the new transmitter within 8 seconds until the central unit emits 3 BEEPS to indicate that the signal has been received. At this point, the new transmitter has been added to the list of those enabled.

-Step 3. Repeat Step 2 for each additional transmitter that you want to enable, including "old" ones. If you repeat Step 2 with a transmitter that has already been enabled, the central unit still emits 3 beeps, but this operation has no utility.

-When transmission of all the available remote controls is completed, wait approximately 8 seconds; the central unit will then exit from the remote control storing phase.

-From this moment on, only transmitters that have been enabled can control the unit.

#### 3 - Installing the C11

-Join the two half-brackets as shown in Fig. 3 and attach them to the wall or ceiling using the screws and the plastic screw anchors provided in the kit (make two  $\varnothing$  7 mm holes) (see fig. 4).

-If necessary, make the following connections as shown in the general wiring diagram, with the key of the C11 unit in the OFF position and the 220 V mains supply disconnected.

-When all connections have been made, position the connection cover in its seat and secure it using the 2 self-tapping screws as shown in Fig. 2. Then attach the control unit onto the bracket using the 2 socket head screws as shown in Fig. 4.

#### CAUTION

- The product should be connected to the domestic supply (230v).
- All electrical connections must be made by qualified personnel
- Note! Risk of electric shock! Always disconnect the electric power source by means of the main circuit breaker of the domestic electricity supply (230v) before making any connections.
- The product contains rechargeable batteries, which must be disposed of correctly and not together with domestic waste. Use special recycling containers for differentiated waste collection provided by your local authority.

#### 4 - Final check

a) Activate the central unit by pressing the button on the remote control. The unit emits 2 beeps and the Red LED flashes.

b) Within 25 seconds from activation, simulate an alarm by tripping the PIR sensor. The central unit will emit one beep to indicate that the alarm signal has been received. At this point, you have 25 seconds to retest the PIR sensor.

c) Wait 25 seconds and put the unit into alarm status by simulating the tripping of the PIR sensor. The unit will emit several beeps (lasting about 3 seconds), after which the internal siren goes into operation for about 50 seconds.

PLEASE NOTE:

Keep the keys supplied with the alarm central unit in a safe place. If both keys are lost, it is not possible to remove or deactivate the alarm central unit without causing irreparable damage.

Fig. 1

—— C11 - central unit vertical  
- - - - C11 - central unit tilted

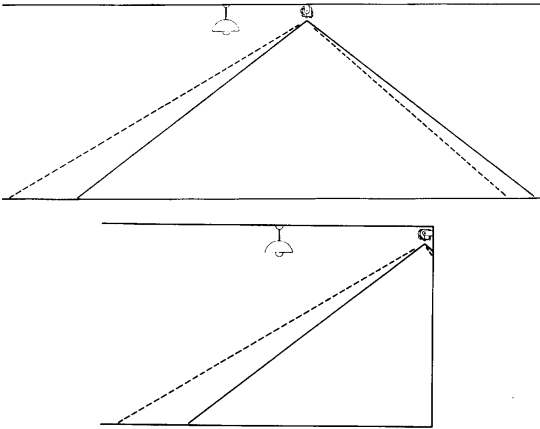


Fig. 2

Fig. 3

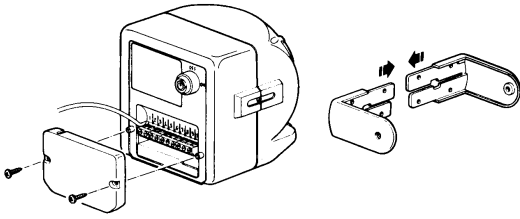


Fig. 4

